
Personal Healthcare Smart Touch Screen TV

LU766A

Provide your patients with the smart solution, 15.6" multi-touch based Arm TV, for a superior hospital experience. The LU766A series enables personalized interactive service with its multi-touch screen and webOS operating system, which is the optimal platform for Patient Engagement Providers in the industry. Its industrial panel is durable and will sustain long operation. The LG IPS panel technology provides great viewing angles for multiple viewers in a hospital environment.



Personal Healthcare Smart Touch Screen TV

LU766A

Interactive Healthcare TV Solution

Intuitive Multi-touch Display

This touch screen recognizes the presence of more than two points of contact with the surface, allowing more users in a hospital setting to experience interactive services (e.g., doctor and patient) and entertainment (e.g., patient and family).



Perfect Viewing with LG IPS and Instant On

This TV has an LG IPS Panel which delivers awe-inspiring picture quality across the entire screen, even from wide viewing angles. The "Instant On" feature allows immediate TV power-on and picture display with no long boot-up time delay for the guest.



Pre-loaded Apps (including gaming apps)

Guest can be served with pre-loaded applications, including many popular games, Youtube, Web Browser and others.



* Actual in-screen image may differ.

Personal Healthcare Smart Touch Screen TV

LU766A

Smart Experience

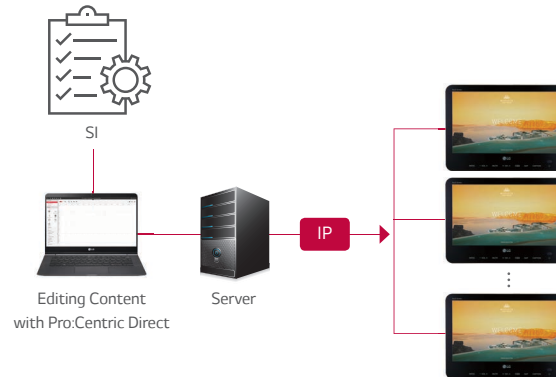
Pro:Centric Information Management Solution

Pro:Centric SMART is optimized for customizing information and entertainment services through an IP & RF infrastructure. With its high picture quality, sophisticated design and advanced connectivity functions, the LU766A Series improves and creates new in-room experiences for patients, family and hospital staff.



Pro:Centric Direct Solution

Pro:Centric Direct is a content management system that supports simple editing tools and provides various solutions such as 1-click service and IP-network-based remote management. With this solution, users are able to customize the UI easily and provide are able to customize the service while managing TV efficiently.



* Actual user interface may look different.

Pro:Idiom

Securely provide entertainment content with Pro:Idiom DRM (Digital Right Management) which prevents illegal copying on your LG devices.



Personal Healthcare Smart Touch Screen TV

LU766A

Product Reliability

UL Hospital Grade Listed

The LU766A series is UL listed for use in healthcare facilities, which insures you are installing a safe product for patient room use



Antimicrobial Properties Applied

Antimicrobial properties applied to the plastic housing of the LU766A series conform with the ISO 22196 standard.*



* NOTES:

- Antimicrobial properties: : Antimicrobial properties do not protect users against bacteria, viruses, germs or other disease causing microorganisms.
- External plastic housing excludes front LCD panel.
- ISO 22196: Measurement of antimicrobial activity on plastics and other non-porous surfaces.

Cleanliness, Safety and Convenience

LU766A series LCD panels are designed to be able to be cleaned thoroughly without issues, and the stylish, rounded corners of the TV reduce the possibility of the TV bumping harshly into staff, patients or family visitors.

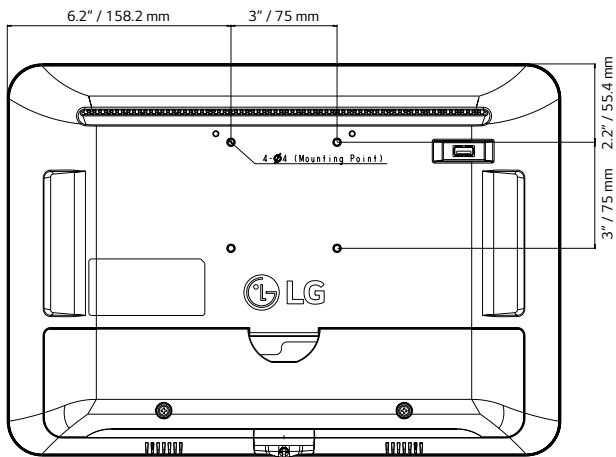
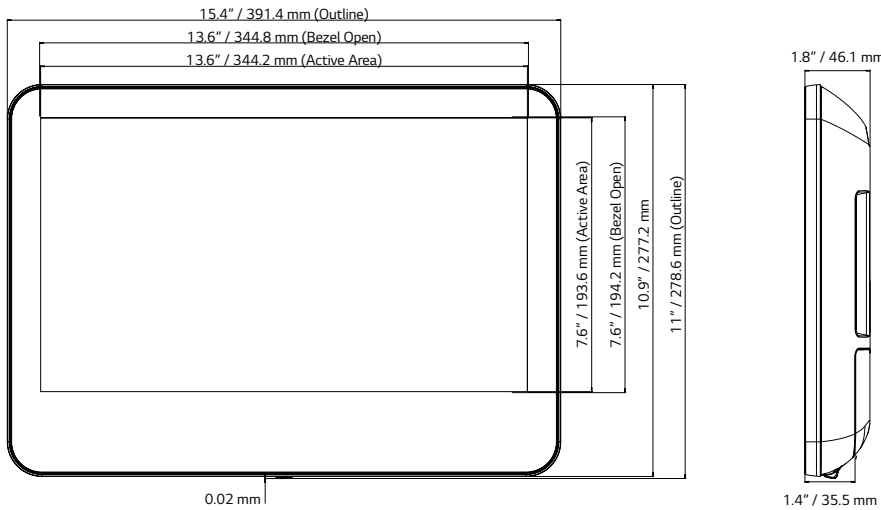
Sleek, Durable Glass



Rounded Corners



Dimensions



* Dimensions may differ from the above image, so please contact LG sales team to verify before ordering.

Specifications

LU766A

	Screen Size	15.6"	
	Backlight Type	LED (Edge)	
	Resolution	1,920 x 1,080 (FHD)	
	Brightness nits	250 (Typ) / 220 (Min)	
PANEL	Static (Panel) Contrast Ratio	700 (Typ)	
	Viewing Angle (L-R, T-B)	160°, 160°	
	Response Time (G to G, ms)	25	
	Life Span (hrs)	50,000	
	Touch Screen	10 Point Multi Touch PCAP, Accuracy < 2mm	
	BROADCASTING SYSTEM	Analog	Yes (NTSC)
Digital		Yes (ATSC)	
Terrestrial		VSB	
Cable		Clear QAM/VSB	
VIDEO	XD Engine	Yes	
	Aspect Ratio	16:9, Original, 4:3, Vertical Zoom, All-Direction Zoom, Just Scan	
	Picture Mode	7 modes: Vivid, Standard, APS, Cinema, Sports, Game, Expert (Bright Room), Expert (Dark Room)	
AUDIO	Audio Output	1 W + 1 W	
	Speaker System	2.0 ch	
	Sound Mode	Yes 6 modes: Standard, Cinema, Clear Voice III, Sports, Music, Game	
	Clear Voice	Yes	
SMART TV SOLUTIONS	Solution Type	Pro.Centric (Smart, V, Direct)	
	Data Streaming (IP & RF)	Yes	
	RF	Yes (1 Tuner)	
	HCAP (GEM/FLASH/HTML)	Yes	
	* Service Carousel (TLX, Firmware)	Yes	
	Multicast/Unicast Ready	Yes	
	webRTC	Yes	
	DRM	ProIdiom (S/W)	
	SMART FEATURES	webOS 3.5, Commercial Smart Home, Web Browser, Pre-loaded Apps, SDP Server Compatibility, SoftAP, Wi-Fi (bandwidth), Screen Share (Miracast), Smart Share (DLNA), DIAL, Bluetooth Audio Playback, LG Sound Sync / Bluetooth	
	DEVICE MANAGEMENT FEATURES	Welcome Screen, Insert Image, Instant On, Full Touch Screen (PCAP), Auto Off / Sleep Timer, Smart Energy Saving, Motion Eye Care, USB Cloning	
JACK INTERFACE	Set Bottom	Headphone Out (replaceable module)	
	Set Rear	HDMI/HDPC In, LAN (RJ45), USB, MPI Port (RJ45), DC In, RF/AC In [PoC (Power over Coax)]	
MECHANIC	VESA	75 x 75 mm	
	Color	Front: Black / Back: Ivory	
	Bezel Width	23.5mm (T/L/R) / 59.7mm (B)	
	W x H x D (without packing, without stand)	15.4" x 11" x 1.8" / 391.4 x 278.6 x 46.1 mm	
	W x H x D (with packing, without stand)	18" x 7.9" x 14" / 458.0 x 201.0 x 356.0 mm	
	Weight (without packing, with stand)	6.4 lbs / 2.9 kg	
POWER	Weight (with packing, without stand)	9.9 lbs / 4.5 kg	
	Optional Adapter (AM-PW18BA)	Input: 100V - 240V AC 50/60Hz, Output: 19V DC 3.42A	
	Max	30W	
	PoC (Power over Coax)	Range 20V - 34V AC	
OTHER	Standby	Adapter: 0.5W ↓ / PoC: 0.5W ↓	
	Compliance	UL, FCC, RoHS, NOM, NRCan, CEC	
	Warranty	2 Year	

<http://www.lg.com/us/business/commercial-display>
<http://www.twitter.com/LGCommDisplays>
<http://www.facebook.com/LGcommercialdisplays>
<http://www.linkedin.com/company/lg-commercial-displays-usa>
<http://www.youtube.com/lgcommercialdisplayusa>

LG may make changes to specifications and product descriptions without notice.
 Copyright © 2018 LG Electronics Inc. All rights reserved. "LG Life's Good" is a registered trademark of LG Corp.
 The names of products and brands mentioned here may be the trademarks of their respective owners.
 Screen images are simulated. | SPEC_LU766A_071817_PR



Pro:Idiom® Authorised LG Reseller and Licensed Pro:Idiom Adopter

Ph: (02) 9816 1655
 Email: info@cisystems.net.au
 Website: cisystems.net.au